
TOA SPECIALTY ELECTRONICS

SPOT ANNOUNCING MACHINE

AM-821



DESCRIPTION

The TOA Model AM-821 is a fully automatic spot announcing machine for initiating recorded messages at specific time intervals or on command during background/foreground music play. Instant live announcements may also be made. The biggest advantage of the AM-821 is that it accepts any standard audio cassette tape, for recording and playback of messages, however long. Unrecorded sections needed for automatic playback can easily be taped. The built-in AGC aids provides constant output levels, for user-made message tapes. Unneeded message(s) from #1 to #9 may be skipped. Time intervals may be set by the built-in timer or by an external one. The microphone serves for recording and paging. The AGC keeps the paging level constant. An input is provided for background music. Announcements have priority over music. Optional mounting kits allow mounting in a standard EIA 19" rack. An RM-820 optional remote microphone can be used either for recording messages for playback on the AM-821, or for direct live announcements.

FEATURES

1. Accepts any standard audio cassette tape.
2. Accepts any message, long or short.
3. Priority function overrides BGM/FGM program.
4. Message omit selectors.
5. Built-in interval timer.
6. Built-in AGC circuit.
7. Balanced, transformer-isolated output.
8. Rack mountable with optional bracket.
9. Optional RM-820 remote microphone either for recording messages, or for direct live announcements.

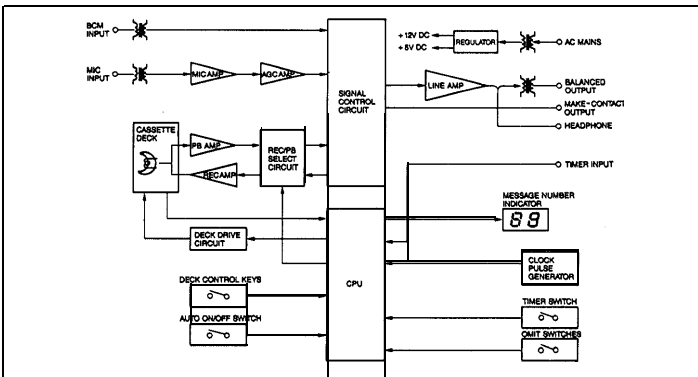
SPECIFICATIONS

Power Requirements	AC mains, 50/60Hz
Outputs	LINE: +2dBm/600 ohms balanced PHONE: Stereo or monaural headphone
Inputs	MIC: -58dBm/600 ohms balanced REMOTE MIC: -58dBm/600 ohms unbalanced, 8-pin DIN plug BGM: +2dBm/600 ohms balanced
Frequency Response	MIC: 100Hz to 15kHz, ±3dB TAPE: 100Hz to 7kHz, ±3dB
Distortion	MIC: Less than 2% at 1kHz TAPE: Less than 3% at 1kHz
S/N Ratio	MIC: Better than 55dB TAPE: Better than 50dB
Usable Tape	Standard audio cassette tape
Wow and Flutter	Less than 0.3% WRMS
Control Terminals	Input jack for external timer—accepts make-contact with no voltage. Output for Muting—Make-contact with no voltage
Interval Timer	2, 5, 10, 15, 20 minutes and OFF (switchable)
Omissible Message	Message No. 1 through No. 9
Message Number Indication	1 through 99
Dimensions (W x H x D)	17.1 x 5.5 x 13.2 inches 433.5 x 140 x 336 mm
Weight	14.3 lbs. (6.5 kg)
Color	Black
Optional Accessories	RM-820 Remote Microphone

Notes:

1. Cassette mechanism needs regular maintenance in order to ensure continuing optimum performance. We suggest that the maximum interval between deck servicing is 1,000 operational hours.
2. Please do not use C-120 cassette tape.

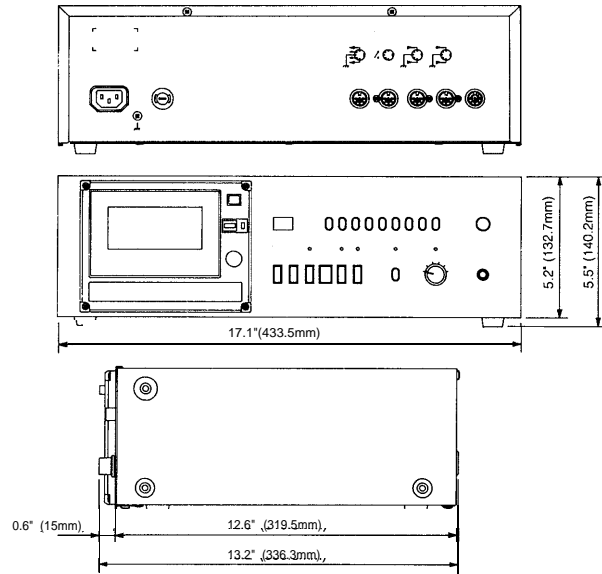
BLOCK DIAGRAM



ARCHITECT'S AND ENGINEER'S SPECIFICATIONS

The automatic spot announcing machine shall be designed to allow messages of any length to be recorded and played back, depending only on the length of the tape. The machine shall have a built-in timer for distributing messages at intervals of 2, 5, 10, 15 or 20 minutes. An external timer shall be used for playing the message tape at other specified intervals. The machine shall have an input terminal for background/foreground music, as well as input jacks for a low impedance microphone or optional remote microphone. The microphone shall be used for either recording or for instant live announcements. Announcements shall take precedence. Unrecorded sound segments necessary for automatic playback shall be easily placed onto the tape. The machine shall also include message omit switches which permit skipping of unnecessary message(s) between the first and ninth message. The recording and announcing sound levels shall be kept constant with a built-in AGC circuit. With optional mounting kits, the AM-821 shall be mountable in a standard EIA 19" rack. The automatic spot announcing machine shall be a TOA Model AM-821.

APPEARANCE AND DIMENSIONAL DIAGRAM



RM-820

Compatible Microphone for AM-821

FEATURES

1. Electret microphone element for enhanced intelligibility.
2. OFF switch acts as REC SPACE switch when recording messages.
3. Output level is -66dB (unbalanced).
4. 6V DC power via a feed from the AM-821.
5. 2m long connection cable with DIN plug.



The RM-820 can be used either for recording messages for play back on the AM-821, or for direct live announcements. An electret microphone element ensures that all recorded messages or live announcements will have an optimally high degree of intelligibility. When the AM-821 is in the recording mode, the RM-820 starts the tape moving when it is turned on. At the end of recording, switching off the microphone makes the tape continue to run for a few seconds without any signal being recorded. After this non-signal segment is inserted on the tape, it stops automatically.

SPECIFICATIONS

Output Level	-66dBv (unbalanced)
Power Source	6VDC (fed from the AM-821)
Connections	2m long cable with 8-pin DIN plug
Dimensions	Base: 6.1 (W) x 1.5 (H) x 3.7 (D) inches 155 (W) x 38 (H) x 95 (D) mm Length of Gooseneck: 10.7 inches (273mm)
Weight	1.9 lbs. (850g) (with cable)
Color	Metallic gold

*Specifications are subject to change without notice.