

SOUND REPEATER

EV-20A (Stand-alone Type)



SmartMedia card slot



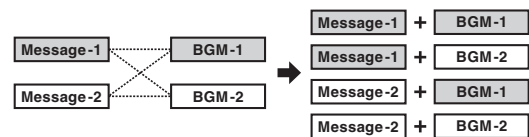
DESCRIPTION

Introducing the EV-20A Sound Repeater, a self-contained innovative device that is ideal for high-quality playback and repeating broadcast program content as well as for sensor-activated messages/announcements, BGM and broadcasting in many locations. Its many features, small size and compact dimensions make it especially well suited for unattended use in a variety of applications. The compact dimensions manage to include a built-in amplifier and speaker as well as built-in microphone and external line input to increase its versatility for different applications. Featuring fully digital recording and playback of up to two different messages/announcements and two different music selections with CD-quality audio, the EV-20A also accepts audio files downloaded from a PC via its USB link.

FEATURES

- Easy recording from multiple sources – built-in microphone, external microphone, external audio equipment, PC-originating downloads.
- Versatile playback with sensor activation, repeated interval activation and external activation.
- All digital circuitry features CD-quality audio for messages and music.
- Line input for easily connecting external program sources including BGM units and CD players.
- External source broadcasting possible using connected equipment.
- No mechanical moving parts or mechanisms make sure maintenance stays minimal.

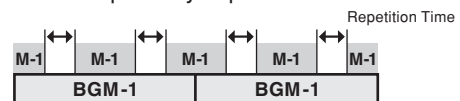
- USB port for easy data transfer of program material from PC
- Maximum 6-minute* duration for recording
- SmartMedia-compatible for program material storage
- Flexible message and BGM combinations possible with separate message and music selector controls



- Independent level controls for setting different message and BGM volume levels.
- Three playback mixing modes to choose from:
 - 1) BGM commences and a message voice over is added.
 - 2) BGM level reduces when message starts.
 - 3) BGM commences and stops before the message stars.



- Messages/announcements and music selections can be played back repeatedly at preset intervals



- Software supplied (includes operation software and music files)
- Installs easily in virtually any position (wall or ceiling)
- Expanded system application (up to 16 EV-20A units)

* duration of program depends on SmartMedia card storage capacity. Six minutes will require a 32 – 128MB card.

SPECIFICATIONS

* 0dB = 1V

Power Source	AC mains, 50/60Hz (supplied from AC adapter (accessory))
Rated Output	3W
Power Consumption	10W (rated output)
Wave Format	44.1kHz sampling frequency, 16-bit PCM (monaural)
Sensitivity	90dB (3W, 1m)
Frequency Response	200 – 10,000Hz (–10dB)
Distortion	Under 1% (rated output)
Recording System	USB data transfer or analog recording
Control Input	1 input, external activation: 200ms pulse make system, interruption: make/break system. no-voltage make contact input, open voltage: 3.3V DC, short-circuit current : 1mA, removable terminal block (2 pins)
Input	Mic: –40dB*, 2.2kΩ/Line: 0dB*, 10kΩ, (Mic/Line changeable), unbalanced, mini jack Built-in microphone: –44dB*, 2.2kΩ, electret condenser mic.
Sensor	Detection range: Approx. 3.0m Detection speed: Approx. 0.3 – 1.5m/s
LED Indicator	Message, BGM, recording, USB
Operating Section	Slide switch: Message selection, BGM selection, sensor ON/OFF, recording selection, playback mode, power, Mic/Line selectable Rotary switch: Playback interval, equipment identification Push switch: Recording Volume: Message, BGM
Maximum No. of Messages	4 (messages: 2, BGM: 2)
Maximum Recording Time	Approx. 3 min (when 16MB, 3.3V SmartMedia is in use) Approx. 6 min (when 32 – 128MB, 3.3V SmartMedia is in use) (Note: SmartMedia under 8MB or over 256MB and of 5V version cannot be used.)
Playback Interval Time	∞, 0s, 5s, 10s, 30s, 1 min, 5 min, 10 min, 30 min or 1 h (selectable)
Speaker Component	8cm cone-type
Finish	Case : ABS resin, silver
Dimensions	144 (W) × 195 (H) × 101 (D) mm (excluding rubber foot)
Weight	850g
Accessory	SmartMedia (over 32MB) × 1, USB cable (1m) × 1, CD-ROM (USB data transfer software and sample chimes recorded) × 1, Removable terminal plug (2 pins) × 1, AC adapter × 1,
Option	Mounting bracket: C-BC31

OPTIONAL ACCESSORY



C-BC31
Wall/Ceiling mounting bracket



USB Data Transfer Software Operation Environment

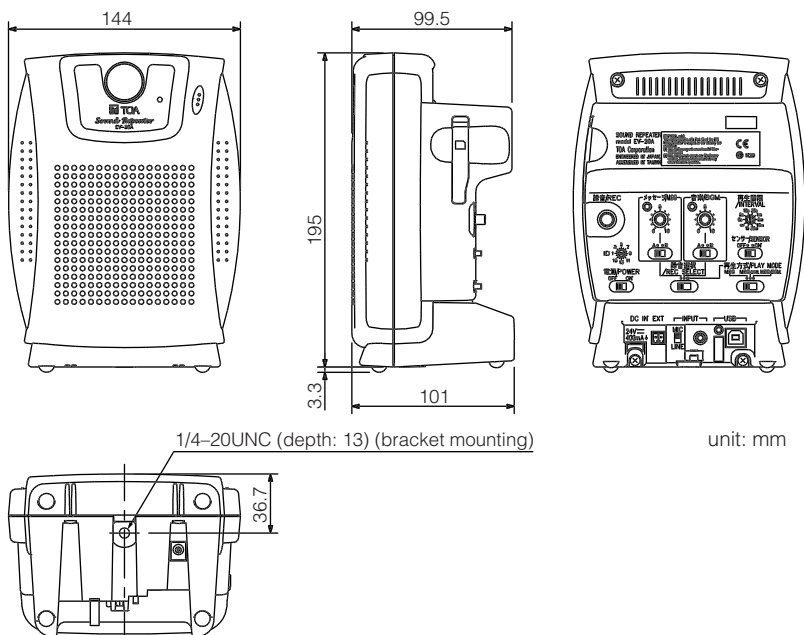
Personal Computer	IBM-AT compatible type (equipped with the USB terminal)
Main Specifications	CPU: Pentium compatible CPU of 133MHz or more Memory: Over 64MB (recommended: 128MB or more) Free disk space: Over 10MB (space for message storage excluded)
OS	Windows 2000/XP

Notes: Pentium is a trademark of Intel Corporation.

Windows is a trademark of Microsoft Corporation.

Other company names and products are also trademarks of individual companies.

APPEARANCE AND DIMENSIONAL DIAGRAM



TOA Corporation

URL : <http://www.toa.jp/>

Specifications are subject to change without notice.
Printed in Japan (0403) 833-52-314-10 u