

TOA SPEAKER SYSTEM

2-WAY WEATHERPROOF SPEAKER

F-500WP/F-500WP-L/F-600WP/F-600WP-L



**F-500WP
F-500WP-L**



**F-600WP
F-600WP-L**

DESCRIPTION

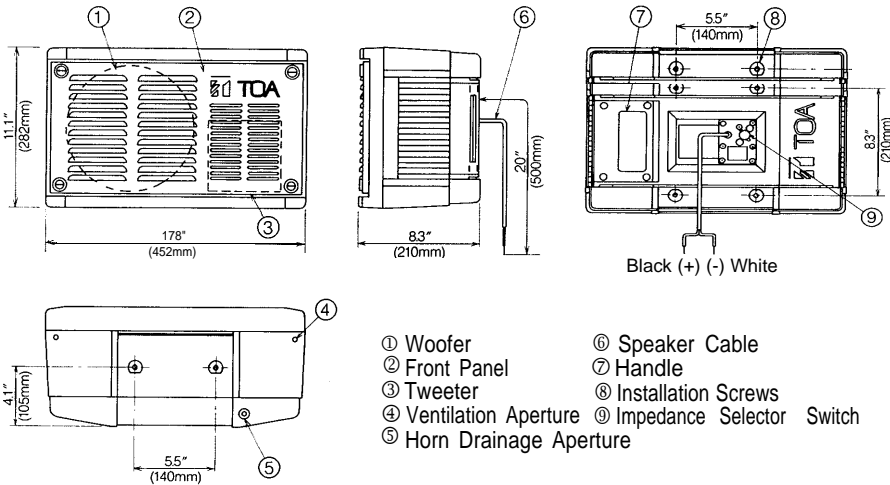
The TOA F-500WP/F-500WP-L & F-600WP/F-600WP-L are weatherproof 2-way sealed type loudspeaker systems housing a 7.9" (F-600WP/F-600WP-L: 12") woofer with high power capacity, and a constant directivity (CO) horn tweeter with a high-efficiency driver. The CD horn assures a uniform, well-controlled dispersion pattern of 60° horizontal by 40° vertical within its specified frequency response range. An extremely durable low-foam polypropylene resin enclosure provides superb acoustic characteristics. Providing not only high efficiency, wide frequency coverage and high durability, but also easy installation, the TOA weatherproof F-500WP/F-500WP-L & F-600WP/F-600WP-L speaker systems have been designed for all-weather outdoor applications and moist places such as ice arenas, as well as for a wide variety of other applications.

FEATURES

1. Rain- and weather-proof construction makes these speaker systems ideal for all-weather use outdoors and in highly humid indoor applications.
2. The 2-way sealed 100V/70V constant voltage speaker system (F-500WP-L, F-600WP-L: 8 ohms) incorporates a woofer with high power handling capacity, and a constant directivity (CD) horn tweeter that also includes a high-efficiency driver.
3. CD horn provides a uniform dispersion pattern of 60° horizontal by 40° vertical.
4. Low-foam polypropylene resin enclosure assures high-quality acoustic response.
5. Speaker design and weatherproofing provide high efficiency, extended range and durability, plus easy installation, enabling use in a wide range of all-weather outdoor and humid indoor situations.
6. Built-in overload protection circuitry.

F-500WP/F-500WP-L

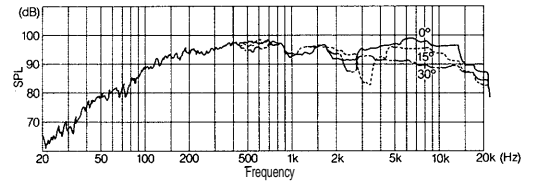
APPEARANCE AND DIMENSIONAL DIAGRAM



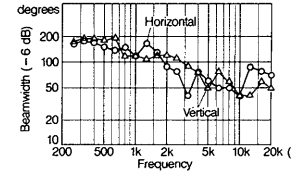
- ① Woofer
- ② Front Panel
- ③ Tweeter
- ④ Ventilation Aperture
- ⑤ Horn Drainage Aperture
- ⑥ Speaker Cable
- ⑦ Handle
- ⑧ Installation Screws
- ⑨ Impedance Selector Switch

CHARACTERISTIC DIAGRAMS

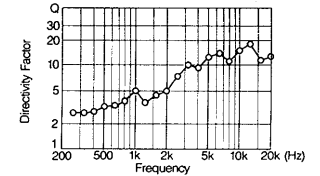
Frequency Response
(1W/1m: 1/3 Octave Pink Noise)



Beamwidth vs Frequency

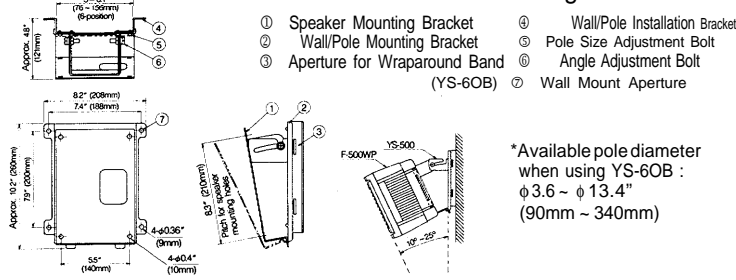


Directivity Factor vs Frequency



OPTION

YS-500 Wall/Pole Mounting Bracket

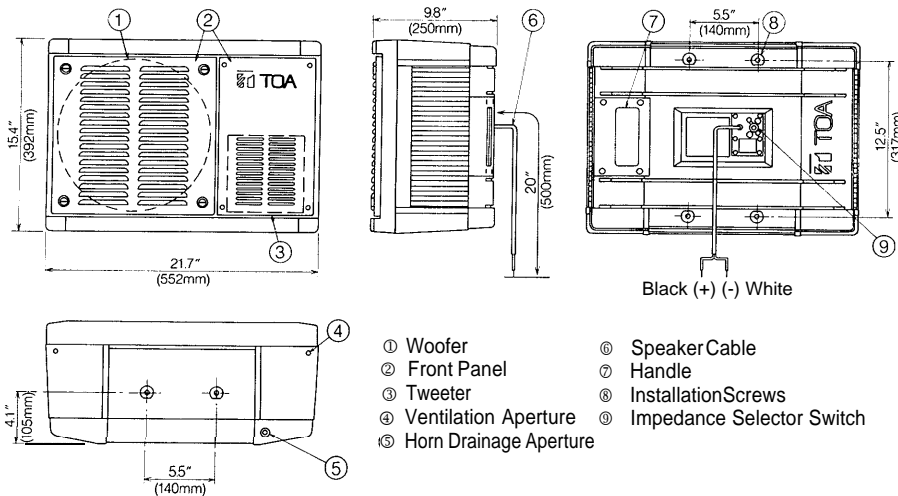


- ① Speaker Mounting Bracket
- ② Wall/Pole Mounting Bracket
- ③ Aperture for Wraparound Band (YS-60B)
- ④ Wall/Pole Installation Bracket
- ⑤ Pole Size Adjustment Bolt
- ⑥ Angle Adjustment Bolt (YS-60B)
- ⑦ Wall Mount Aperture

*Available pole diameter when using YS-60B :
φ3.6 ~ φ13.4"
(90mm ~ 340mm)

F-600WP/F-600WP-L

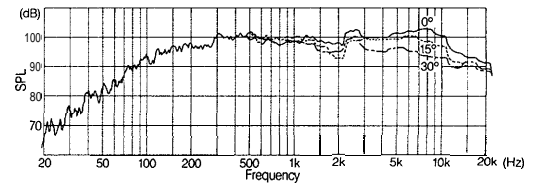
APPEARANCE AND DIMENSIONAL DIAGRAM



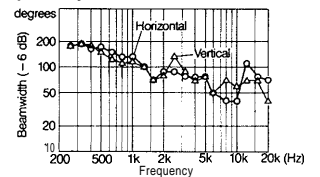
- ① Woofer
- ② Front Panel
- ③ Tweeter
- ④ Ventilation Aperture
- ⑤ Horn Drainage Aperture
- ⑥ Speaker Cable
- ⑦ Handle
- ⑧ Installation Screws
- ⑨ Impedance Selector Switch

CHARACTERISTIC DIAGRAMS

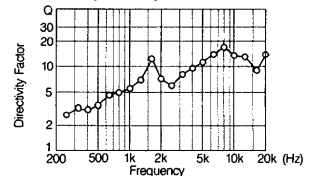
Frequency Response
(1W/1m: 1/3 Octave Pink Noise)



Beamwidth vs Frequency

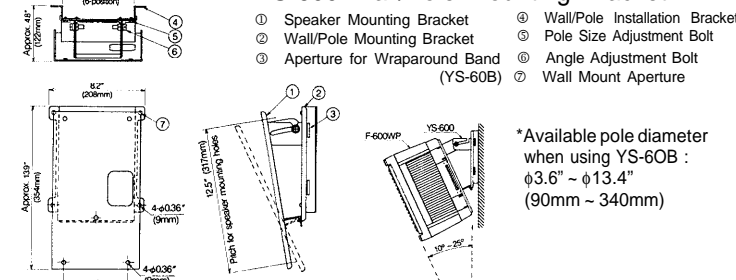


Directivity Factor vs Frequency



OPTION

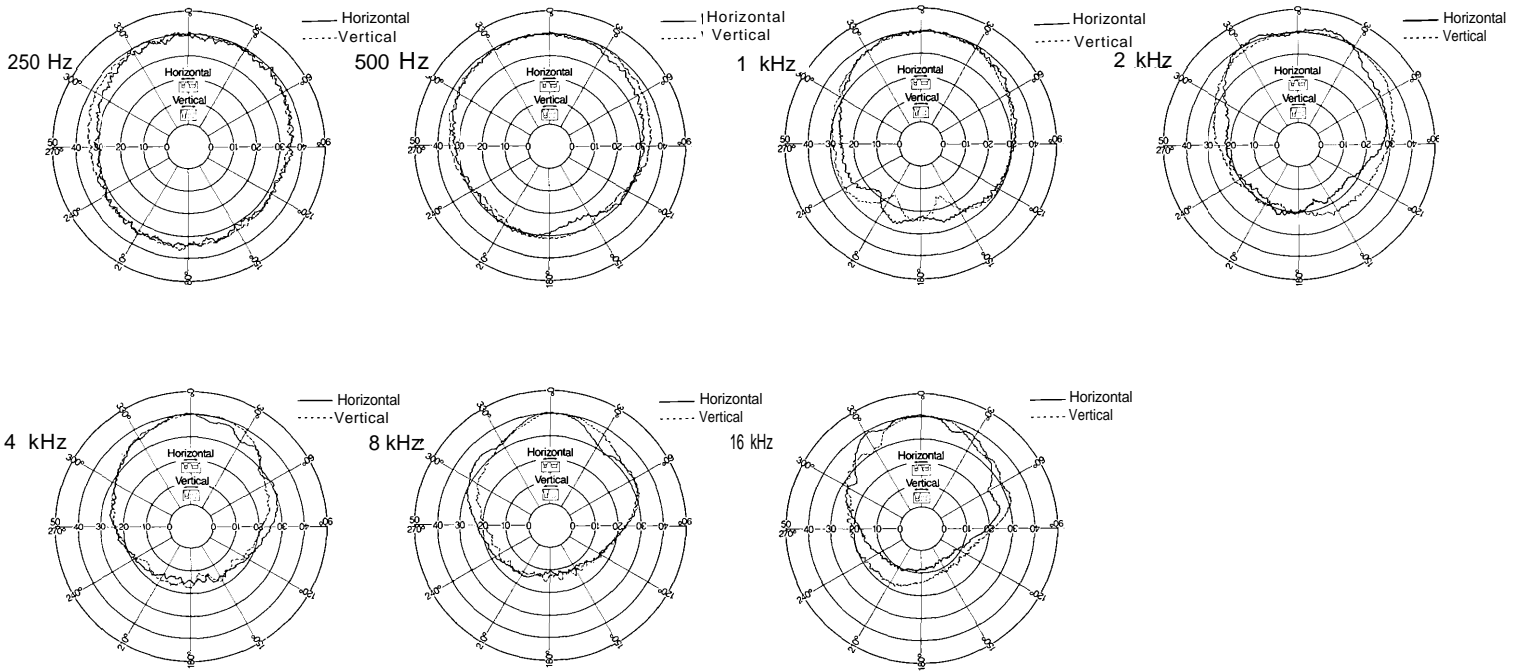
YS-600 Wall/Pole Mounting Bracket



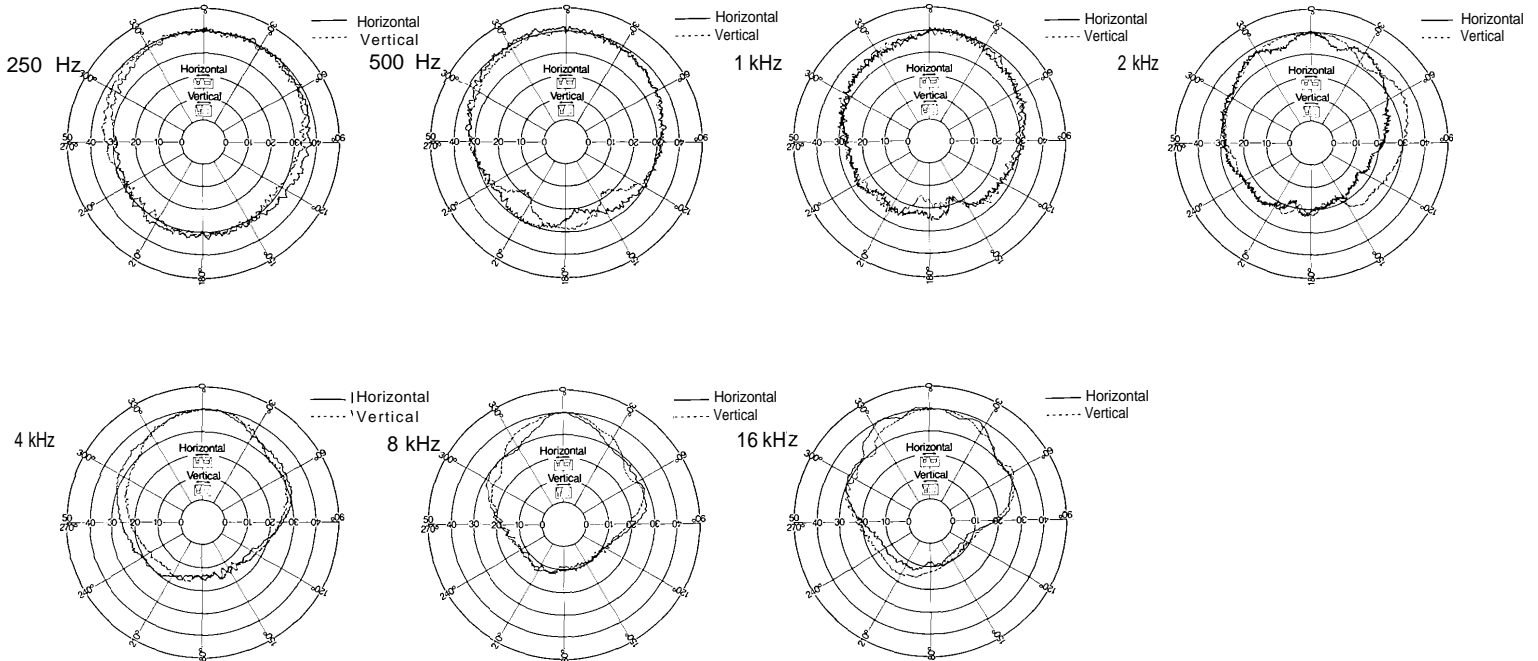
- ① Speaker Mounting Bracket
- ② Wall/Pole Mounting Bracket
- ③ Aperture for Wraparound Band (YS-60B)
- ④ Wall/Pole Installation Bracket
- ⑤ Pole Size Adjustment Bolt
- ⑥ Angle Adjustment Bolt (YS-60B)
- ⑦ Wall Mount Aperture

*Available pole diameter when using YS-60B :
φ3.6 ~ φ13.4"
(90mm ~ 340mm)

Polar Response (1W/2m: 1/3 Octave Pink Noise)



Polar Response 1W/2m: 1/3 Octave Pink Noise)



SPECIFICATIONS

Model No.	F-500WP	F-500WP-L
Enclosure	Sealedtype	
Woofers	7.9" (20cm) cone	
Tweeter	CD horn + compression driver	
Rated Power or Power Handling Capacity	60 watts*	80 watts** 240 watts***
Impedance	83 ohms 170 ohms 330 ohms 670 ohms	8 ohms
Output SPL	93 dB (1W/1m)	
Frequency Response	80 Hz to 20 kHz	
Crossover Frequency	3 kHz	
Ambient Temperature	+ 5°F to + 122°F (-15°C to + 50°C)	
Enclosure Material	Polypropylene resin	
Color	Ivory	
Dimensions	17.8 (W)x11.1 (H)x8.3 (D) inches 452 (W) x 282 (H)x 210 (D) mm	
Weight	Approx. 24.2 lbs. (11kg)	Approx. 20.9 lbs. (9.5kg)

INSTALLATION

- Optimal operating temperature range is from - 15°C to + 50°C. Do not expose speaker to salt air, or intentionally spray with water for cleaning. To prevent direct exposure to snow, place speaker unit under the eaves of a roof, or install it with its own roof covering.
- Use optional mounting bracket for outdoor installation.
- Mount speaker so surface with two air vents and one CD horn rainwater drain is at bottom. Keep drain clear at all times. Make sure speaker is not installed upside down.
- Speaker must not be positioned at any angle outside 0° to 45° downward of horizontal.
- Attempting to disassemble the speaker may impair rain-proofing, with consequent risk of accidents or breakdowns.

Model No.	F-600WP	F-600WP-L
Enclosure	Sealedtype	
Woofers	12" (30cm) cone	
Tweeter	CD horn + compression driver	
Rated Power or Power Handling Capacity	120 watts*	120 watts** 360 watts***
Impedance	42 ohms 83 ohms 170 ohms 330 ohms	8 ohms
Output SPL	98 dB (1W/1m)	
Frequency Response	80 Hz to 20 kHz	
Crossover Frequency	2 kHz	
Ambient Temperature	+ 5°F to + 122°F (- 15°C to + 50°C)	
Enclosure Material	Polypropylene resin	
Color	Ivory	
Dimensions	21.7 (W)x15.4 (H)x9.8 (D) Inches 552 (W) x 392 (H) x 250 (D) mm	
Weight	Approx. 44.1 lbs. (20kg)	Approx. 38.5 lbs. (17.5kg)

*Rated power input **Continuous pink noise input ***Continuous program input
Specifications are subject to change without notice

PROTECTION CIRCUITRY

These speakers have individual protection circuitries that protect the woofer and the tweeter from the excessive input. (If the circuitry is activated, the input power to the woofer attenuates by 15 dB, with the tweeter cut off.)



TOA Corporation