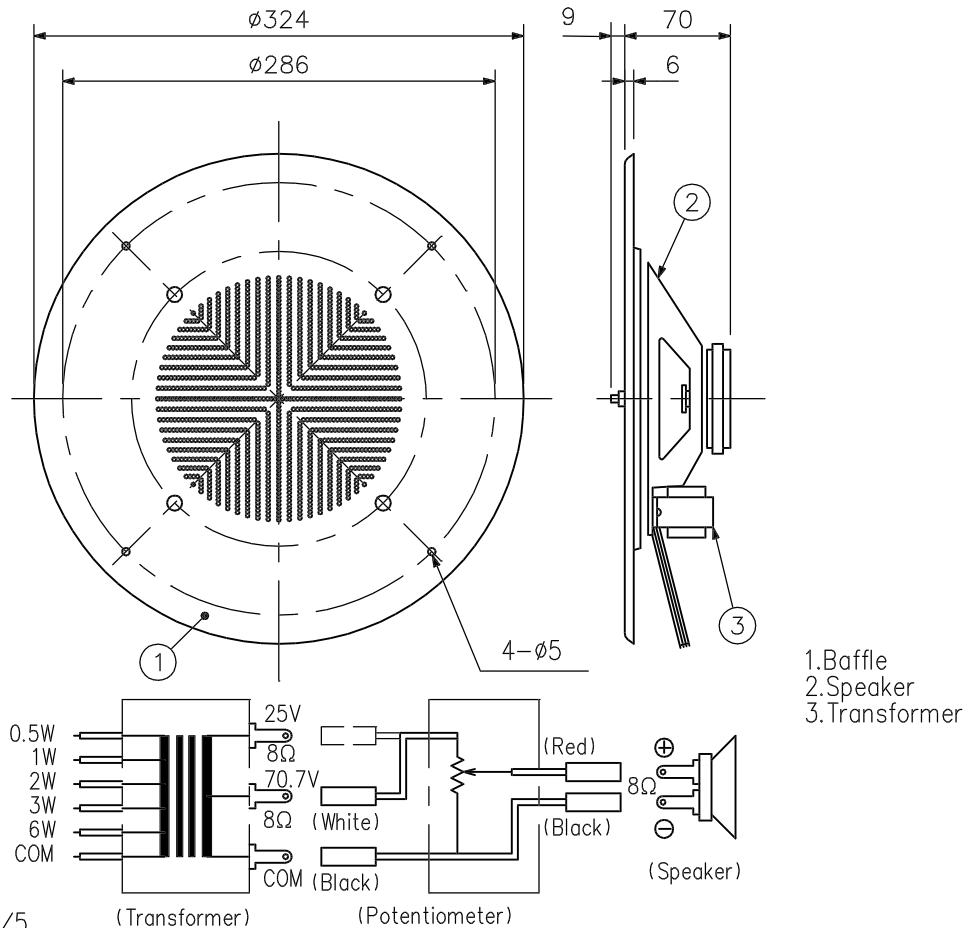


■ SPECIFICATIONS

Rated input	8W (speaker), 6W (transformer)
Rated impedance	10kohms, 5kohms, 2.5kohms, 1.67kohms, 830ohms (for 70.7V line) 1.25kohms, 625ohms, 310ohms, 210ohms, 105ohms (for 25V line)
Sensitivity	95dB (1W,1m)
Frequency range	31.5Hz ~ 16kHz
Frequency response	50Hz ~ 10kHz
Line voltage	70.7V line or 25V line
Weight	1.61kg (3.55lbs)
Material	Cold rolled steel
Finish	White
Speaker	Rated impedance : 8ohms Overall diameter : 206(8.11")mm Magnet size : 70(2.76") × 32(1.26") × 10(0.39")mm Magnet weight : 150g (5.3oz) Flux density : 10,300 gauss Voice coil diameter : 21(0.83")mm Bolt circle diameter : 194(7.64")mm Depth : 70(2.76")mm
Transformer	Size : 50.5(2") × 42.5(1.67") × 22.5(0.89")mm Core : Silicon steel Z-11 anneal Bobbin : Nylon-66 Mounting : 61(2.4")mm
Potentiometer	Type : Screw-driver adjust Wirewound, resistance : 50ohms

■ APPEARANCE



UNIT: mm SCALE: 1/5