

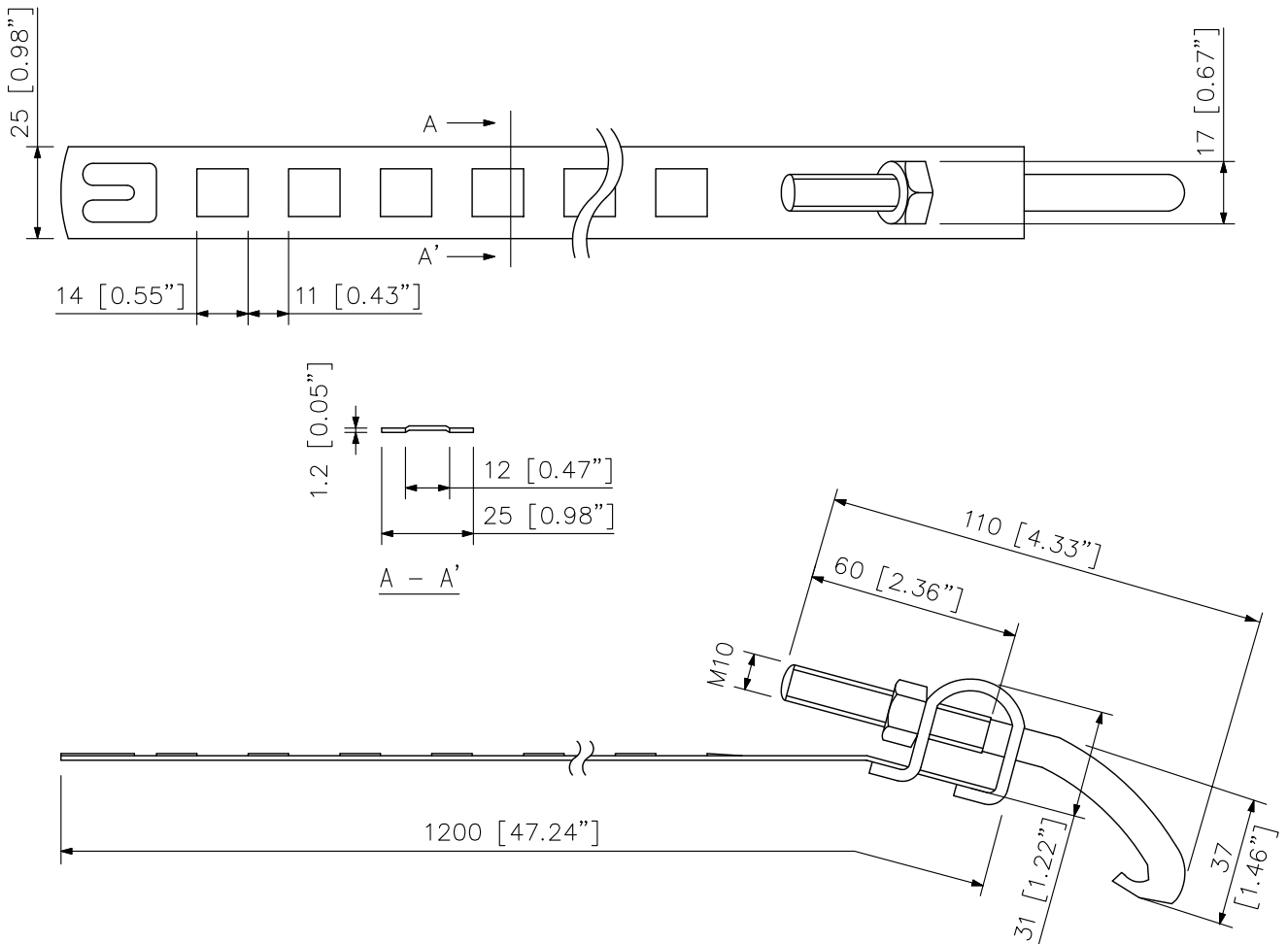
DESCRIPTION

The YS-60B Mounting Band is primarily designed to be used to install the speaker on a pole. It is comprised of two bands.

SPECIFICATIONS

Mounting Pole Diameter	Applox. $\phi 90 - \phi 340$ ($\phi 3.5'' - \phi 13.4''$)
Finish	Electroless zinc plating
Weight	360 g (0.79 lb) (per band)
Product Composition	Pole band $\times 2$

APPEARANCE



UNIT:mm SCALE:1/2